

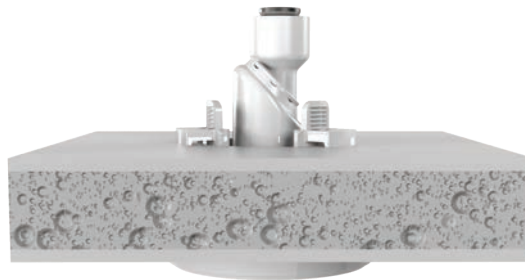
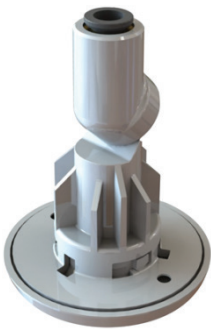
VESDA-E VEA SAMPLING POINTS

VSP-98X-WXX, VSP-98X-BXX



Surface Mount Sampling Point

Standard Sampling Point



The VESDA-E VEA series of detectors combines VESDA reliability and early warning smoke detection with pinpoint addressability and a variety of annunciation options that truly surpass traditional spot detectors. VEA detectors use patented air sampling points and multiple microbore air-sampling tubes with three alarm sensitivity settings.

Each patented VEA sampling point and microbore tube is fully supervised by the detector. End to end supervision combined with system integrity monitoring reduces VEA system servicing and maintenance time by 90% compared to typical spot detection solutions.

VEA sampling points are available in two different types:

Standard Sampling Points

Standard sampling points are designed for a ceiling with a void where microbore tubes are run in the void and sampling points are mounted in the ceiling. Sampling points can either be directly screwed to the ceiling or mounted using a retainer supplied as a standard inclusion.

Standard sampling points are available in black or white with 4mm or 6mm inlets to suit appropriate microbore tubes. The inlet has a swivel joint to allow flexible orientation of the tube. The standard sampling points allow blind mounting removing any need to access the ceiling void once the microbore tubes are installed and passed through the ceiling.

Surface Mount Sampling Points

Surface mount sampling points are designed for use where access to the ceiling void is limited. Microbore tubes are run along the ceiling, visible in the protected area. These sampling points are screwed directly to the ceiling. Surface mount sampling points are available in black or white with 4mm or 6mm inlets to suit appropriate microbore tubes.

Features

- Two different types, standard and surface mount
- Available in black or white
- Full supervision
- Automated cleaning by the detector
- Swivel joint to allow optimum tube orientation
- Models to suite 6mm and 4mm microbore tubes
- Direct mount or ceiling tile mount with retainer housing
- Ease of replacement

Applications

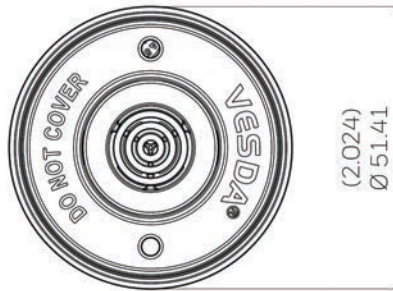
- Healthcare
- Offices
- Education
- Retail
- Prisons
- Apartments / residential
- Electrical cabinets

VESDA-E VEA SAMPLING POINTS

TECHNICAL SPECIFICATIONS

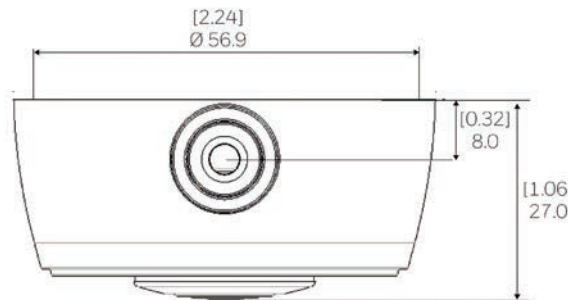


Dimensions (Standard Sampling Point)



Sampling Point	Retainer

Dimensions (Surface Mount Sampling Point)



Ordering Information

Ordering Code	Description	Ordering Code	Description
VSP-978	VESDA-E VEA Sample Point Head Removal Key	VSP-981-B22	VESDA-E VEA 4mm Black Sampling Point (pack of 22)
VSP-980-W	VESDA-E VEA 6mm Standard Sampling Point	VSP-982-W	VESDA-E VEA 6mm Surface Mount Sampling Point
VSP-981-W	VESDA-E VEA 4mm Standard Sampling Point	VSP-983-W	VESDA-E VEA 4mm Surface Mount Sampling Point
VSP-980-W22	VESDA-E VEA 6mm Standard Sampling Point (pack of 22)	VSP-982-W22	VESDA-E VEA 6mm Surface Mount Sampling Point (pack of 22)
VSP-981-W22	VESDA-E VEA 4mm Standard Sampling Point (pack of 22)	VSP-983-W22	VESDA-E VEA 4mm Surface Mount Sampling Point (pack of 22)
VSP-980-B	VESDA-E VEA 6mm Black Sampling Point	VSP-982-B	VESDA-E VEA 6mm Surface Mount Black Sampling Point
VSP-981-B	VESDA-E VEA 4mm Black Sampling Point	VSP-983-B	VESDA-E VEA 4mm Surface Mount Black Sampling Point
VSP-980-B22	VESDA-E VEA 6mm Black Sampling Point (pack of 22)	VSP-982-B22	VESDA-E VEA 6mm Surface Mount Black Sampling Point (pack of 22)
VSP-983-B22	VESDA-E VEA 4mm Surface Mount Black Sampling Point (pack of 22)		